



Life - Health - Happiness

# Miracle Max™



Drinking fresh Chanson Ionized water, with its smaller molecules, gives the body more anti-oxidant power and deeper hydration.



# Contents

<b>1. Basic information of water ionizer</b>	P.02
<b>2. Safety Precautions</b>	P.03~04
<b>3. Accessories</b>	P.05
<b>4. Appearance of the machine</b>	P.06
<b>5. Touch panel of the machine</b>	P.07
<b>6. LCD display</b>	P.08
<b>7. Installation instructions</b>	P.09~10
<b>8. Installation completion diagram</b>	P.11
<b>9. How to use</b>	P.12~15
<b>10. Machine setup</b>	P.16
<b>11. Trouble shooting</b>	P.17
<b>12. Malfunction prompts</b>	P.18
<b>13. Alkaline and Acidic Water Usage Guide</b>	P.19
<b>14. Specification</b>	P.20





## Basic information of water ionizer

### Benefit of water ionizer

- (1) Alkaline ionized water helps to neutralize acids in the body which many health professionals believe is the key to disease prevention and improved health.
- (2) Alkaline water functions as a powerful antioxidant and seeks out free radicals to help guard against illness, chronic diseases and improve health.
- (3) Ionized water molecule structure (groups of H<sub>2</sub>O molecules) size is reduced. This provides superior absorption and hydration. Also accelerates the metabolism to keep you young and healthy.
- (4) The minerals in alkaline ionized water are far more bio-available and potent to help satisfy your daily mineral requirements.
- (5) Alkaline water makes food taste better and is great for all food preparation and cooking.
- (6) Acid water can be used for beauty salon, face wash and antibacterial purpose.

### Suggestions for drinking alkaline water

- (1) Alkaline 1 : The pH is between pH 8.0 ~ pH 9.0  
It's for first time drinking. The initial consumption period is about 4 ~ 7 days.
- (2) Alkaline 2 : The pH is between pH 8.5 ~ pH 9.5  
After the initial period, you can drink the water at this level. Adjust to this level for 3 ~ 4 days.
- (3) Alkaline 3 : The pH is between pH 9.2 ~ pH 9.8  
It is for daily drinking and good for improving some chronic diseases.
- (4) Alkaline 4 and acidic water are not for drinking. Please refer to last page for more information.
- (5) You can benefit most from drinking alkaline water when
  1. You feel hungry before meals.
  2. Between half hour before meals and 2 hours after meals.
- (6) The pH-value mentioned in this manual and panel might vary given different tap-water quality.

# Safety Precautions

## Safety Precautions ► MUST follow the instructions.

Before using the instrument, read through this manual carefully.

Chanson shall not be liable for any malfunctions or accidents occurred from users' misuses during installation. Please follow the instructions below.



This symbol (⊘) means that the indicated action must not be performed. Indications within or nearby this symbol are specifically prohibited.



This symbol (⚠) means that the indicated action must be performed.

### Power Supply



Avoid multi-socket and household extension cords.  
Using multi-socket and household extension cords can create the risk of fire by heating.



Do not touch socket with wet hands.  
That creates the risk of electric shock and injury.



Do not wash ionizer by spraying water as it may cause electrical shock; always unplug while cleaning the ionizer.



Do not damage power cord and outlet.

- Power cord was worn.
- Rebuild or alter by yourself.
- Twist or bend the power cord .
- Pull on the power cord
- Put heavy weight on power cord.
- Bend power cord as loop

Keep using worn power cord or outlet creates the risk of fire, electric shock, and short circuit.



Please clean the dust or dirt over the outlet periodically.  
When an outlet has been covered with dust, it must be cleaned before putting the power plug in it. If the dirt or dust from getting on the outlet, that will creates the risk of electric shock by humidity.



Power must be plug in completely



If device falls into water, please unplug from the electrical socket and stop using.  
When the machine has fallen into water, please follow the following instruction:  
1.Unplug power plug  
2.Dry the machine  
3.Consult with the retailer  
Please contact your original retailer or an authorized service provider.



If any abnormal situations happen, such as smoke or water leakage from the machine, pull out the power plug and turn off the water valve.



# Safety Precautions

**Safety Precautions ▶ MUST follow the instructions.**

## Usage and others



Do not take medications with alkaline water.



Do not drink acid water



Do not use unqualified water

Do not use your ionizer with well water, water with extreme hardness, high sediment or TDS levels without first consulting your dealer



Do not store alkaline water in stainless steel, bronze or aluminum container. Using such containers will cause them to discolor or to be worn.  
Glass and ceramic is recommended.



Do not use hot water with the temperature over 40 through pre-filters or device.  
That may cause the damage of filters and device.



Protect your ionizer from freezing temperature  
Protect your ionizer from direct sunlight or heater.



If your away over one day or absent without using water ionizer more than one day, turn off power and water valve.

1. Unplug the power cord from the electrical outlet
2. Turn off the water valve to avoid leaking Remove filters, drain and place it in refrigerator with plastic bags if the machine will not be used for many days



For electrolyzed alkaline water or clean water, please store it in clean closed containers.  
Drink in 1 day at normal temperature. Drink in 2 days for storing at refrigerator.



For drinking electrolyzed alkaline water for the first time, please drink 1 or 2 cups of the first section of alkaline electrolyzed water daily.  
When your body can accept alkaline electrolyzed water after 2 weeks, please drink the second or the third section of alkaline electrolyzed water.



To drink highly-alkaline water may cause uncomfortable feeling.



Decompilation or disassembly is prohibited.  
Don't try to disassemble, maintenance, rebuild, or alter machine.  
To disassemble creates the risk of fire and electric shock.

※Strongly recommended to use grounding power cable (power cable with 3 pins)

# Accessories

- A** Flexible stainless steel water outlet tube
- B** 1/4" quick connector water pressure reducer
- C** Large flat head screw
- D** Wall anchor
- E** Zip lock bag No. 1 50x70mm
- F** 1/4" hard tube 150cm
- G** Sucking pad
- H** pH reagent 10ml
- I** pH test bottle
- J** Diverter
- K** Diverter accessories kit
- L** Double male thread diverter connector (small)
- M** pH color chart
- N** Fuse
- O** Dust pre-filter
- P** Salt basket (White)
- Q** Calcium basket (Yellow)(inside the insert port)
- R** water inlet (outlet) plug
- S** White spout cap

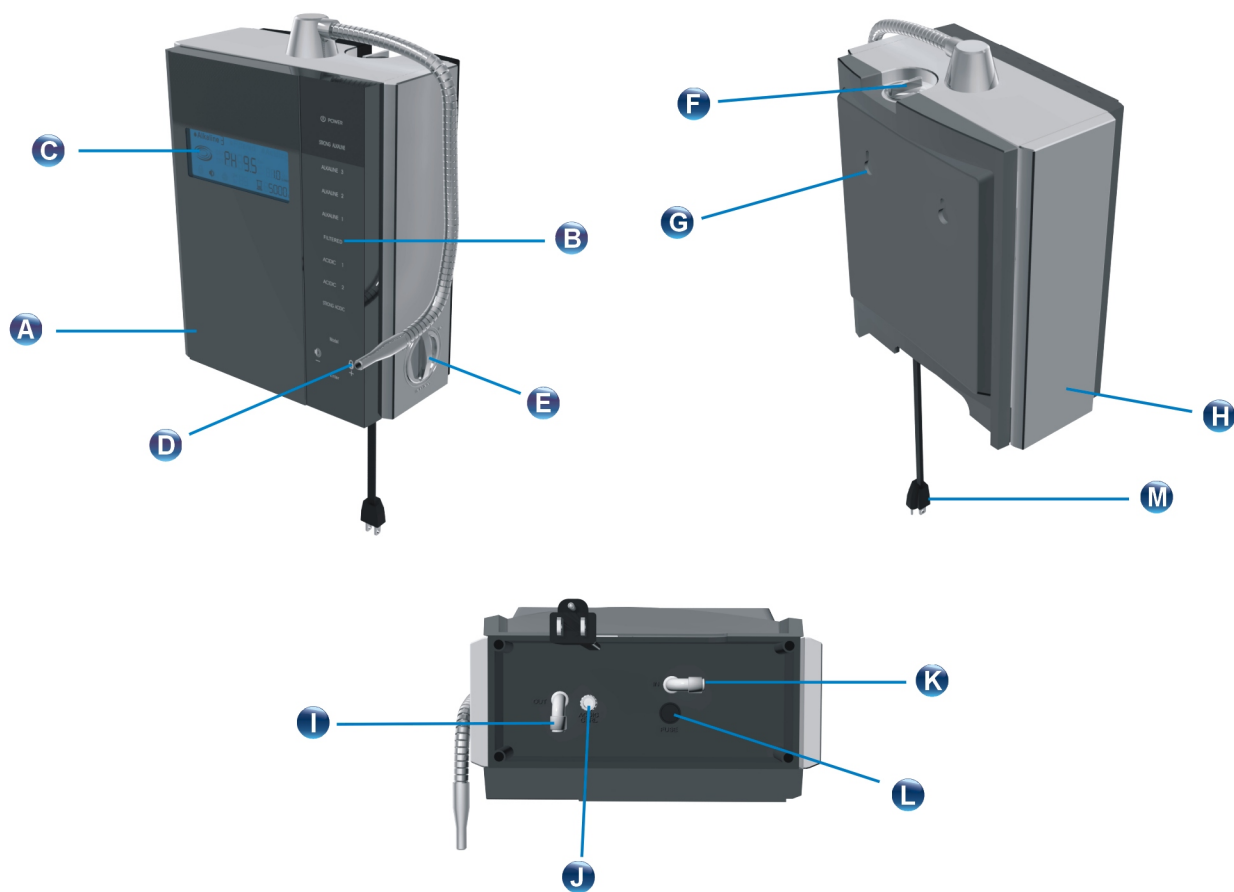
※Upon returning machine to dealer, machine must be secured with spout cap (S) and water inlet and outlet plugs (R) to prevent water leakages during shipping and cause machine damages. Dealer is not responsible for machine damages from water leakage during shipping.





## Appearance of the machine

- A** Main body
- B** Touch sensor
- C** LCD Display
- D** Flexible stainless steel water outlet tube
- E** Water flow control valve
- F** Calcium/Salt cap
- G** Key-hole slots for wall mounting
- H** Filter housing door
- I** Water drain outlet
- J** Water drain flow control valve
- K** Water inlet
- L** Fuse
- M** Power cord





## Touch panel of the machine

- A** ON/OFF
- B** Strong alkaline
- C** Alkaline 3
- D** Alkaline 2
- E** Alkaline 1
- F** Filtered
- G** Acidic 1
- H** Acidic 2
- I** Strong acidic
- J** Mode
- K** Enter
- L** Lock/ +
- M** Volume/ -





## LCD display

### A Alkaline water level indicator

The machine uses "alkaline 1", "alkaline 2", "alkaline 3", "alkaline 4" to indicate the currently selected alkaline water level.

### B Acidic water level indicator

The machine uses "acidic 1", "acidic 2", "acidic 3" to indicate the currently selected acidic water level.

### C Filtered water indicator

The machine uses "Filtered" to indicate that Filtered water is selected.

### D Electrolyzing indicator

Electrolyzed water is produced when this symbol is in operation.

### E pH value indicator

It indicates the selected pH value.

### F ORP value indicator

It indicates the ORP value corresponding to the current water quality.

### G Water flow indicator

It indicates the speed of water flow

### H LOCK indicator

The LOCK function is activated when the indicator light is on.

### I Volume indicator

It indicates the intensity of volume.

### J Error code indicator

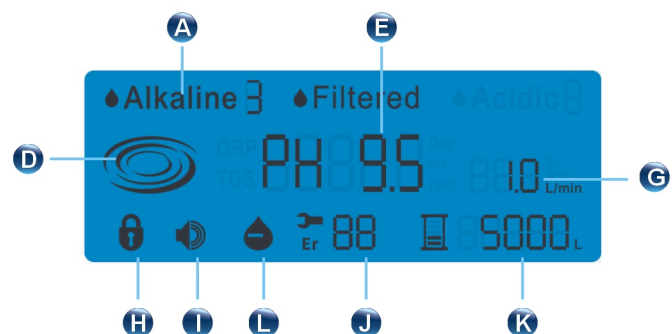
An error code appears when a malfunction is identified.

### K Filter life indicator

It indicates the remaining filter life

### L Water deficiency indicator

It lights on when the machine cannot detect water source.

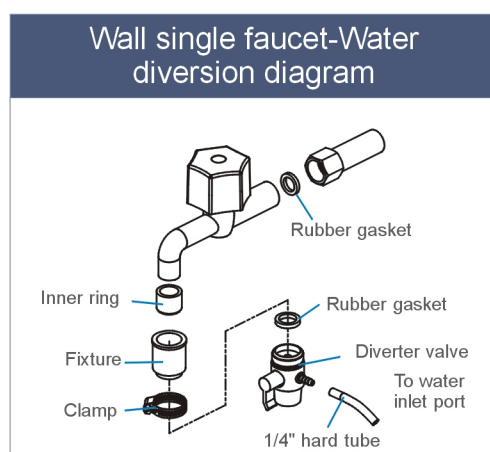
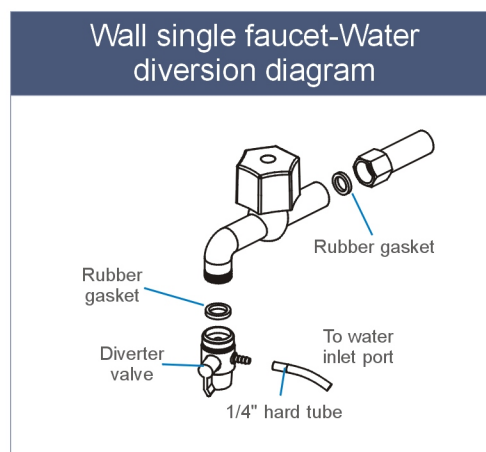
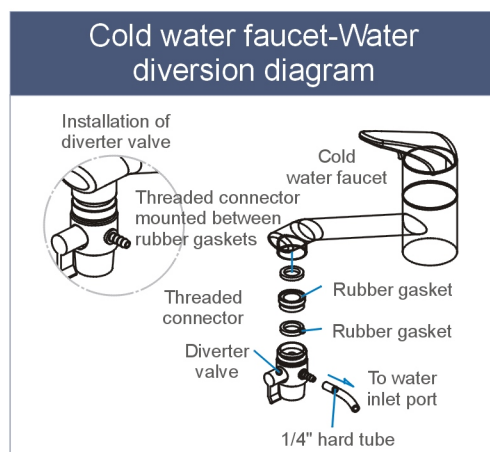


# Installation instructions

## Method A:

Put on the table and connect to the diverter valve. Installation steps:

1. Attach the diverter valve to the faucet.
  2. Use a section of 1/4" hard tube and connect it to the 1/4" quick-connector water pressure reducer and dust pre-filter, (It is recommended to install a pre-filtering system before water is flowing through the ionizer. However, if no pre-filtering system is installed, a dust pre-filter must be installed. Regarding dust pre-filter, please refer to page 5.)
  3. Use a section of 1/4" hard tube and connect it to the dust pre-filter and water supply inlet port.
  4. Use a section of 1/4" hard tube and connect it to the water drain outlet.
  5. Put the machine on the table or hang it on the wall.
  6. Use a section of 1/4" hard tube and connect it to the water pressure 0.reducer and diverter valve.
  7. Attach the flexible stainless steel spout to the machine.
- ✂ The handle of the diverter can be mounted on the left or right side depending on your personal requirements.





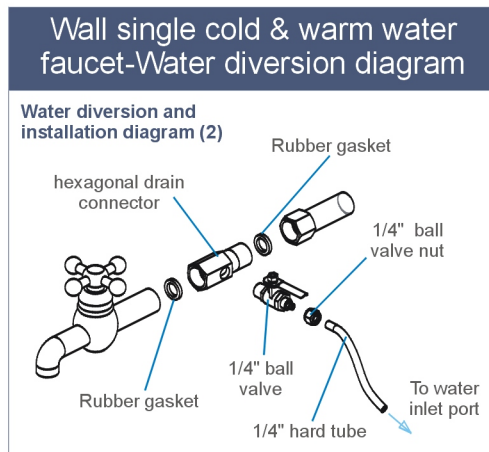
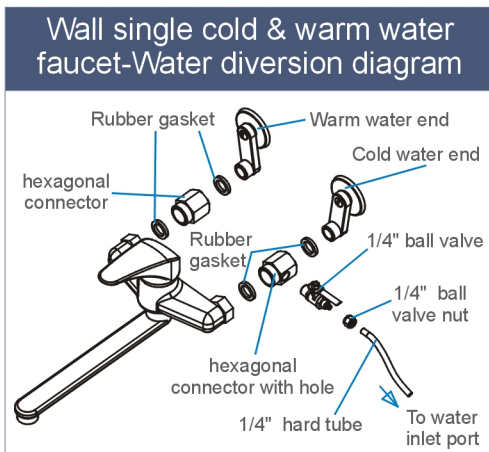
# Installation instructions

## Method B:

To be put on the table and connected to the water source.

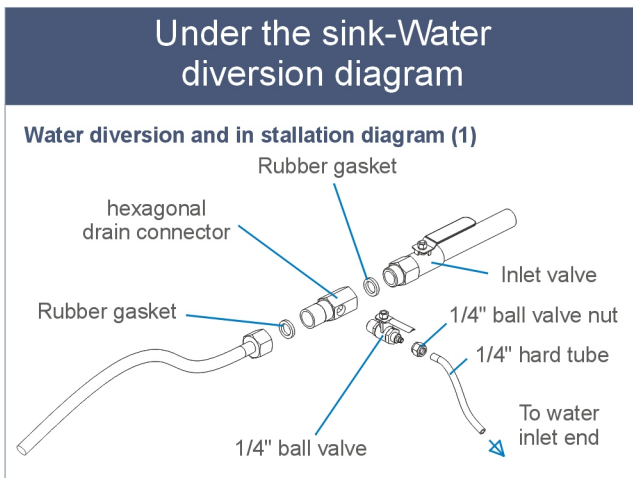
Installation steps:

1. Separation of the cold water supply tube
2. Use the connector to connect it to the cold water supply tube.
3. Use a section of 1/4" hard tube and connect it to the 1/4" water pressure reducer and dust pre-filter.  
(It is recommended to install a pre-filtering system before water is flowing through the ionizer. However, if no pre-filtering system is installed, a dust pre-filter must be installed. Regarding dust pre-filter, please refer to page 5.)
4. Use a section of 1/4" hard tube and connect it to the dust pre-filter and water supply inlet port.
5. Use a section of 1/4" hard tube and connect it to the water drain outlet.
6. Put the machine on the table or hang it on the wall.
7. Use a section of 1/4" hard tube and connect it to the water pressure reducer and connector.
8. Attach the flexible tube to the machine.



## Method C:

Put under the sink and connected to the water source



## Installation completion diagram

- A** Diverter valve switch
- B** 1/4" water supply tube
- C** 1/4" water drain outlet
- D** Water drain pipe sucking pad
- E** Flexible stainless steel water outlet tube
- F** Power cord
- G** Main body
- H** Touch sensor
- I** LCD display

### IMPORTANT

※A water pressure reducer must be installed to prevent machine damage from excessive water pressure.

※It is strongly recommended that a pre-filter system be installed to prevent any particles flow into water ionizer and cause potential damages.





# How to use

## Main power connection

1. Plug the power cord in the socket. The LCD backlight is on with seven colors lighting in sequence (for 2-3 seconds). A beep sounds simultaneously.
2. The LCD display and operation indicator light is on. The machine is now in the standby mode and ready for operation.
3. If no action is taken within 60 seconds, the LCD display and operation indicators go out. The machine remains in standby mode.

※Strongly recommended to use grounding power cable (power cable with 3 pins)

## How to use alkaline water/acidic water/filtered water

1. Check that the main power and water supply are connected correctly.
2. Switch the diverter valve to the draining position and turn on the faucet. (Make sure water is supplied smoothly.)
3. Touch the "STROHG ALKALINE", "ALKALINE 3", "ALKALINE 2", "ALKALINE 1", "FILTERED", "ACIDIC 1", "ACIDIC 2" or "STRONG ACIDIC" depending on your requirements. The indicator in the button lights up with a prompt beeping sound. The backlight and pH value are shown correspondingly on the LCD display.
4. Touch the "POWER" key and the red indicator in the key lights on. The electrolyzed water is produced when you hear the voice prompt "TURN ON". The electrolyzing indicator starts operating and the backlight and pH value are shown correspondingly on the LCD display.
5. Now you can use the control valve to adjust the speed water outflows. The current water flow is shown on the LCD display.
6. If "ALKALINE 3" is selected, you will hear the voice "The third section of alkaline electrolyzed water is in process." It indicates that the electrolyzing process is completed and alkaline water flows out of the flexible Tube while the acidic ater is drained from the drainpipe.  
If "ACIDIC 2" is selected, you will hear "The second section of acid electrolyzed water is in process.." It indicates that the electrolyzing process is completed and alkaline water flows out of the flexible spout while the acidic water is drained from the drainpipe. If "FILTERED" is selected, the electrolyzing indicator does not light on and filtered water flows out of the flexible spout when you hear the voice "Cleaned water".
7. Touch the "POWER" key after using the machine and the red indicator in the key goes out. The electrolyzing process stops when you hear the voice prompt "TURN OFF". The machine will automatically memorize the Last water level you have used.

## pH/ORP display switch

When electrolyzed water is produced, pressing "MODE" will switch between pH and ORP displays

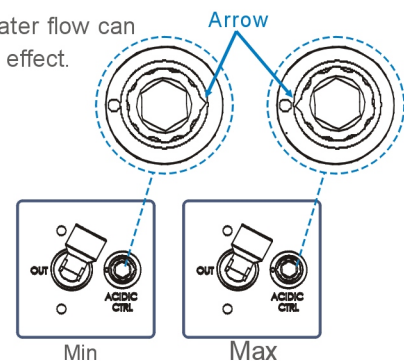


## Regulation of water flow

Flow control valve-can regulate the speed water outflows easily. Appropriate water flow can be achieved by turning "LOW", "MID" or "MAX" to ensure optimal electrolyzing effect.

## Regulation of alkaline/acidic water ratio

Water drain flow control valve-can regulate the drain flow ratio of the alkaline and acidic water. When the machine is put on a surface with its front facing upward, the drain flow ratio of the alkaline and acidic water is about Max when the arrow points to the right-hand side, and the ratio is about Min when the arrow points to the left-hand side (1:1 by default).



# How to use

## Attention

1. If no action is taken within one hour, the machine stops draining water automatically.
2. If the consumption of the alkaline water reaches 30 liters, the machine will be in self-cleaning mode automatically for one minute on the next use.
3. Salt is recommended as an additive when strong acidic water is used. The flow speed should be reduced to ensure max effect.
  - \* A beep sounds to indicate that the amount of the salt is inadequate.
  - \* If the flow is too high, you will hear the voice prompt "Water flow is too large; please turn the flow valve down."
  - \* After strong acidic water is used, the machine will be washed automatically for 30 seconds on your next use
4. The dust pre-filter must be washed on a regular basis to avoid reduction of water flow.

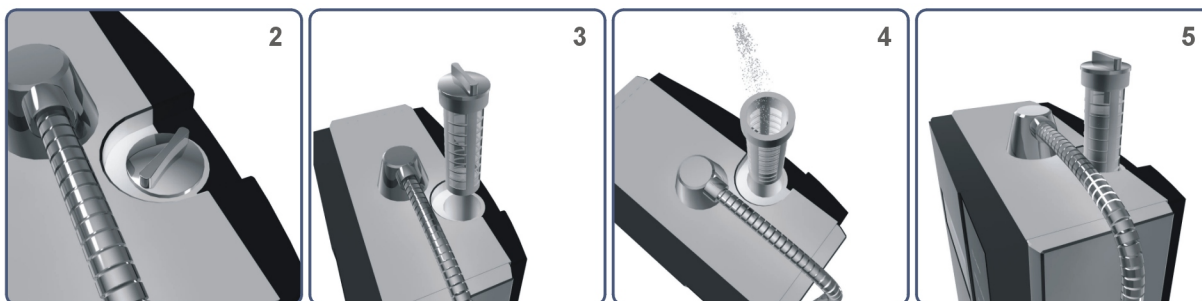
## Calcium powder insert (light yellow color basket)

1. Make sure that the red "Power" indicator does NOT light on and the machine is in standby mode.
2. Open the valve of insert port and release the Calcium insert basket (light yellow color).
3. Fill up calcium powder (food grade) and close the cap.
4. Insert the basket vertically in the guide and push it downward to the end. Turn the cap clockwise and lock it tightly to its position.
5. Select alkaline levels when using calcium insert. Then turn the "Power" on.
6. After use calcium powder, take out the basket and dispose of the remaining beads, wash it and completely remove the residual water out of the basket.

## Salt Insert (white color basket)

1. Make sure that the red "Power" indicator does NOT light on and the machine is in standby mode.
2. Open the valve of insert port and release the Salt insert basket (White color).
3. Fill up salt to at least 20% of the basket. It is good to use for 30-40 minutes when salt is filled all the way up.
4. Snap back the calcium basket to the valve cap, and insert the basket vertically in the guide and push it downward to the end. Turn the cap clockwise and lock it tightly to its position.
5. Select ONLY acidic level 3 (Strong acid) when using salt insert. Then turn the "Power" on.
6. After use salt insert, the machine will automatically goes into self-cleaning mode. Take out the salt basket, Wash it and completely remove the residual water out of the basket.

※Caution : Do not select alkaline 1 to 4 and acidic 1 to 2 when doing salt inserts. Salt insert is ONLY for acidic level 3 (Strong acidic level).





# How to use

## How to change the filter element

1. The filter element must be changed when one of the following two conditions occurs:
  - A. When the remaining filterlife reaches to "0", the "0000" indicator of the filter starts blinking.
  - B. When the filter is used for more .than 1 year, "0000" in the life indicator means its time for filter replacement



2. Remove side cover by sliding upword



3. Pull out the filter cartridge At an angle.



4. Hold the cartridge tightly and turn the upper cover of the cartridge anticlockwise.
5. Remove the upper cover and filter body Out of the cartridge.



6. Hold the upper cover of the cartridge and turn the filter Anticlockwise to remove it.



7. Take out the rubber disk from the old filter and put it on the top of the new filter. Do please not throw the rubber disk away. (The filter is PJ-6000.)



8. Hold the upper cover of the cartridge and turn the new filter clockwise into it.



9. Hold the cartridge tightly and turn the upper cover (together with the filter) Clockwise into the Cartridge.



10. Push the cartridge to its vertical position.



11. Place the side cover by sliding it downward to its original position.



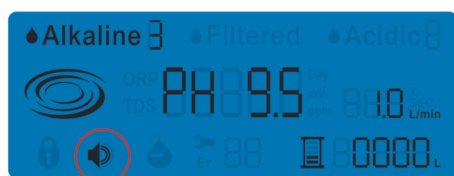
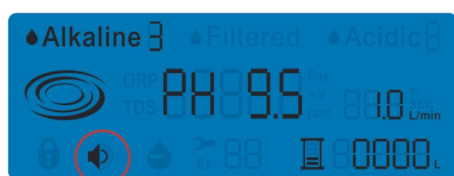
12. Reset the filter life (refer to page 16 "How to reset filter life in the machine set up")
  - Press and hold "MODE" for five seconds to enter the setting display.
  - Press "ENTER" four times to enter the filter flow display. The current remaining filter flow is shown on the screen.
  - Press "+" and "-" simultaneously to restore the filter flow (9000 liters by default) and press "ENTER" to store the setting.
  - Press and hold "MODE" five seconds to exit the setting display.



# How to use

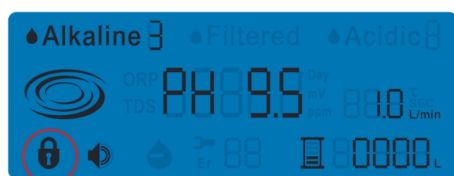
## How to adjust speaker volume

The "VOLUME" in the LCD display indicates the intensity of the volume. When you press the "VOLUME" button, the "High", "Mid", "Low" and "Mute" will appear in sequence on the display with a voice prompt indicating the current volume.



## How to use the LOCK Function

Press and hold "LOCK" for three seconds. The "LOCK" indicator in the LCD display lights on with a voice prompt indicating that the LOCK function is activated. Switching to other water levels is impossible after the LOCK function has been activated. Press and hold "LOCK" for three seconds again to cancel the LOCK function.



## How to restore the factory setting

1. When the LCD lights up and no draining of water occurs, press and hold "MODE" and "ENTER" simultaneously for three seconds to enter the factory setting display and a prompting voice will sound accordingly as a result. The LCD backlight is green and all indicators light up.
2. Press "ENTER" within five seconds to restore the factory setting. The seven-color backlight shows on the screen and the display returns to the "Alkaline 3" window.





# Machine setup

## Attention

This operation is allowed only when the LCD lights up and no draining of water occurs.

## How to change the current for each water level

⊙ Attention: if you do not have pH or ORP meter, please do not change the current, and consult with local service center.

1. Press and hold "MODE" for three seconds to enter the setting display. The current water level is shown on the screen.
2. Press "+" or "-" to select the water level to which you want to change. Then press "ENTER" to enter the current parameter adjustment window.
3. Press "+" or "-" to select the current parameter you want to change (the higher the parameter, the higher the current). Then press "ENTER".
4. Press and hold "MODE" for five seconds to exit and save your setting.
5. Repeat Steps 1 to 4 for setting of other water levels, if required.

## How to change the TDS value setting

1. Press and hold "MODE" for three seconds to enter the setting display.
2. Double click "ENTER" to enter the TDS window. The current TDS setting is shown on the screen.
3. Press "+" or "-" to select the TDS you want and press "ENTER".
4. Press and hold "MODE" for five seconds to exit and save your setting.

## How to change the voice setting

1. Press and hold "MODE" for three seconds to enter the setting display.
2. Press "ENTER" three times to enter the voice setting window. The current voice setting is shown on the screen. (ENG: English; FRA: French)
3. Press "+" or "-" to select the voice you want and press "ENTER" to save the change.
4. Press and hold "MODE" for five seconds to exit the setting display.

## How to reset the filter life

1. Press and hold "MODE" for three seconds to enter the setting display.
2. Press "ENTER" four times to enter the filter flow restoration window. The current remaining filter flow is shown on the screen.
3. Press "+" and "-" simultaneously, and hold for 3 seconds to reset the filter life (9000 liters by default). Then press "ENTER".
4. Press and hold "MODE" for five seconds to exit and save your setting.

## How to change the washing setting

1. Press and hold "MODE" for three seconds to enter the setting display.
2. Press "ENTER" five times to enter the washing setting display. The washing setting currently shown on the screen is 60-second automatic washing every 30-liter drain.
3. Press "+" or "-" to select how many liters (30~80 liters selectable) of drain water is to be set for one washing circulation. Then press "ENTER".
4. Press and hold "MODE" for three seconds to exit and save your setting.

# Trouble shooting

## Power can not turn on

- (1) The power plug is not inserted.
- (2) Make sure if your press "power" button
- (3) The fuse is blow

## Milk white water or "flakes" in the bottom of glass.

- (1) Many bubbles from the ionization process, the bubbles will disappear later. The bubbles are oxygen, and they are good for health.
- (2) High hardness in your water source. This is harmless calcium.

## Too slow water flow

- (1) Dust pre-filter is clogged.
- (2) Low water pressure in the house.
- (3) The inlet hose is bent.
- (4) Filter is clogged or sudden sediment in water quality. Please change the filter.

## PH test shows alkaline water color as green

- (1) Expired or evaporated reagent. Please replace reagent.
- (2) Make sure power is on.
- (3) If you are using well water, softened water, distill water or a Reverse Osmosis system; please contact your dealer for best solution.

## Strange taste from alkaline water

- (1) Expired filter or sudden dirty water comes in. Please replace your filter.
- (2) Check the presence of the rubber disk on top of PJ-6000 filter (water ionizer inside filter). Rubber disk may have forgotten to replace back when filter changes.

## Tap leaks water

- (1) Diverter does not install well. Please refer to page 9 to 11.

## Alkaline or acidic water does not reach desired pH value

- (1) Refer to page 16 "How to change Current for each water level" .
- (2) Please reduce water flow.

## Water suspension

- (1) When water suspension occurs during operation, please turn off the water supply.
- (2) When the water resumes, run tap water for 1-2 minutes. To allow the air and dirt exit before going into the ionizer. If air or dirt remains in the main filter, it will greatly reduce the filter's life.

## Which hose does the Acidic water come from?

Acidic water comes out from the top spout (Stainless Steel tube on top of machine) WHEN acidic level is selected on the machine. When acidic water is in process, Alkaline water is being drain out from the drain plug. Via versa, when Alkaline water is in process (Alkaline level selected), alkaline water will come out from the top spout, whereas acidic water is being drain out from the drain plug.

## Why isn't my touch screen working?

The touch screen can't sense wet hands. Dry your hands and it should work again. If it still doesn't work, please contact your local distributor.

## Return machine to distributor.

Water ionizer must not have any water left inside the machine before returning to Chanson's distributors. The two 1/4" inlets (water supply inlet and acidic water outlet) underneath the machine must also be secured with the blue plastic plugs (Please refer to page 5 as shown in picture R.) The metal spout must be disassembled by turning counter-clockwise, and secured the top water outlet head with the white rubber cap (Please refer to page 5 as shown in picture S.)



## Malfunction prompts

(1) Check the water source

When the "Water Deficiency" symbol on the LCD display lights up, it indicates that no water flows, and the machine speaks "Water flow is too small; please turn the inlet valve up."

Check that water supply operates normally.

(2) Machine overheat

The temperature of the machine is too high (higher than 70°C) when the LCD backlight is red and the "Error Code 1" appears on the screen. The machine speaks "Please shut off the inlet and pause now."

Keep the machine turned off for 60 minutes and resume the operation.

(3) Water temperature too high

The temperature of the water source is too high when the LCD backlight becomes red and the "Error Code 2" appears on the screen. The machine speaks "Water temperature is over 40 degree."

Check that the temperature of the water source is normal (lower than 40°C).

# Alkaline and Acidic Water Usage Guide

			Food comparisons
Alkaline water	Vegetables Cleaning	Strong alkaline - pH10.0~pH11.0 <b>Reduce pesticides; fruit and vegetable cleaning</b> <ul style="list-style-type: none"> <li>• Sterilize vegetables, beef, pork, and fresh fish; bring out natural flavors</li> <li>• Great for making soups, and help for maintaining their nutrients and color</li> <li>• Effectively reduce pesticides on fruits and vegetables</li> <li>• Dishes cleaning for oil and tough grime, good for oil stain removal with ease</li> </ul>	Grapes, kelps, ginger
	Daily drinking	Alkaline 3 - pH 9.2 ~ pH 9.8 <b>Drinking</b> <ul style="list-style-type: none"> <li>• For daily consumption and improving your overall health.</li> <li>• Improve conditions for upset stomach, constipation, diarrhea, and gout</li> </ul>	Soy beans, Spinach, mushrooms
	Cooking	Alkaline 2 - pH 8.5 ~ pH 9.5 <b>Cooking</b> <ul style="list-style-type: none"> <li>• After initial period, you can drink the water at this level. (3-4 days)</li> <li>• Make tea or coffee taste better and reduce bitterness and good for pre-cooking foods.</li> <li>• Reduce uncomfortable feeling of fatigue and sleepy.</li> </ul>	Banana, Chestnut, Red beans, Lettuce, Carrot
	Initial drinking	Alkaline 1 - pH 8.0 ~ pH 9.0 <b>Initial drinking</b> <ul style="list-style-type: none"> <li>• For initial consumption period (4-7 days)</li> <li>• Balance body and support micro-mineral</li> </ul>	Cabbage, Eggplant, Onion, Tea, apple
Filtered water	Filtered water	Filtered - pH 7.0 <b>Take medicine and make milk</b> <ul style="list-style-type: none"> <li>• It's for taking medicine and for baby's diet</li> </ul>	Tofu, Milk, Miso, Bread, Asparagus
Acid water	Skin cleaning	Acidic 1 - pH 5.0 ~ pH 6.0 <b>Wash face and skin care</b> <ul style="list-style-type: none"> <li>• Not suitable for drinking</li> <li>• Ideal for bathing sensitive skin and infants, sunburn relieve</li> <li>• Minimize the appearance of pores, and good for brushing teeth</li> <li>• Restores shine to hair and as a natural after shave</li> </ul>	Clam, Beef, Rice, octopus, beer
	Clean	Acidic 2 - pH 3.0 ~ pH 5.0 <b>Cleaning and washing</b> <ul style="list-style-type: none"> <li>• Not suitable for drinking</li> <li>• Antibacterial for dishes and floor without using toxic chemicals</li> <li>• Clean glass and making it bright</li> <li>• Reduce peculiar smell on pets</li> </ul>	Egg yolk, Cheese, Squid, Oats,
	Anti-bacteria	Acidic 3 - pH2.5 <b>Cleaning, disinfecting and hygiene</b> <ul style="list-style-type: none"> <li>• Not suitable for drinking</li> <li>• Great for cleaning and disinfecting, kills germs and bacterial on contact, sanitizes cutting boards, knives, kitchen utensils and appliances, dish towels, etc.</li> <li>• Promote excellent hygiene, disinfects hands.</li> </ul>	

※The pH and ORP mentioned in this manual and panels may vary, given different tap-water quality.





## Specification

<b>Item</b>	Counter Top Water Ionizer
<b>Model</b>	Miracle Max
<b>SMPS Input</b>	AC 100 - 240V / 50 - 60 Hz
<b>Machine size</b>	9.75 * 13.2 * 10.3 inch
<b>Machine weight</b>	8.24 lb
<b>Water Pressure</b>	8~90 PSI
<b>Temperature</b>	41 ~ 104F / 5-40 °C
<b>Unit Operation Type</b>	One touch - automatically ionization start
<b>Electrolysis method</b>	Continuous electrolysis
<b>Cleaning</b>	Intelligent self-clean
<b>Filter</b>	Antibacterial filter with silver-impregnated activated carbon approx 9-12 months base on 25 Liter/day
<b>Filter life indicator</b>	LCD indication
<b>Water supply</b>	Direct connection to a tap
<b>Mineral port</b>	Adding calcium for alkaline water or salt for acidic water
<b>Over heat detector</b>	Temperature sensor / Auto shut off





## Chanson Series For Water Purification

- Counter Top Alkaline Water Ionizer
- Under Counter Alkaline Water Ionizer
- Nanofiltration water system, Ultra filter water system.
- Ozone Air Cleaners
- Water Filter
- Shower Filter