

**MODEL JP-105**

## IONIC WATER PROCESSOR

Thank you purchasing Jupiter Anti-Oxidant Ionic Water Processor,  
Please read this manual carefully before operating your machine,  
If you do have any doubt, Please contact your nearest Dealer.

## IMPORTANT SAFEGUARDS

※When using electrical products, especially when children are present, basic safety, basic safety precautions should always be followed, including the following:

### READ ALL INSTRUCTIONS BEFORE USING.

**DANGER** - To reduce the risk of electrocution:

1. Always unplug this product immediately after using.
2. Do not use while bathing.
3. Do not place in or store product where it can fall or be pulled into a tub or sink.
4. Do not place in or drop into water or other liquid.
5. Do not reach for a product that has fallen into water. Unplug immediately.

**WARNING** - To reduce the risk of burns, electrocution, fire, or injury to persons.

1. A product should never be left unattended when plugged in.
2. Close supervision is necessary when this product is used by, on, or near children or invalids.
3. Use this product only for its intended use as described in this manual. Do not use attachments not recommended by the manufacturer.
4. Never operate this product if it has a damaged cord or plug, if it is not working properly, if it has been dropped or damaged, or dropped into water. Return the product to a service centre for examination and repair.
5. Keep the cord away from heated surfaces.
6. Never block the air openings of the product or place it on a soft surface, such as a bed or couch, where the air openings may be blocked. Keep the air openings free of lint, hair, and the like.
7. Never use while sleeping or drowsy.
8. Never drop or insert any object into any opening or hose.
9. Do not use outdoors or operate where aerosol (spray) products are being used or where oxygen is being administered.

## PREPARATION FOR SAFETY



In the event of use the product without following the Manual, the below marks are indicators of matters that may cause the material damages or physical hazards.



**WARNING-** Make sure to follow it for safety.



- ◆ DO not use the product at the voltage other than specified. It may cause fire and electric shock.
- ◆ the fuse capacity of the product 3A. Do not use the fuse other than this capacity.



- ◆ Absolutely do not change, disassemble, or repair the product. It may cause fire and electric shock.



**CAUTION-** be cautious when in use.



- ◆ DO not supply the power or operate the power button with wet hand. It may cause an electric shock.



"This appliance has a polarized plug (one blade is wider than the other). As a safety feature, this plug will fit in a polarized outlet only way. If the plug does not fit fully in the outlet, reverse the plug. If it still does not fit, contact a qualified electrician.



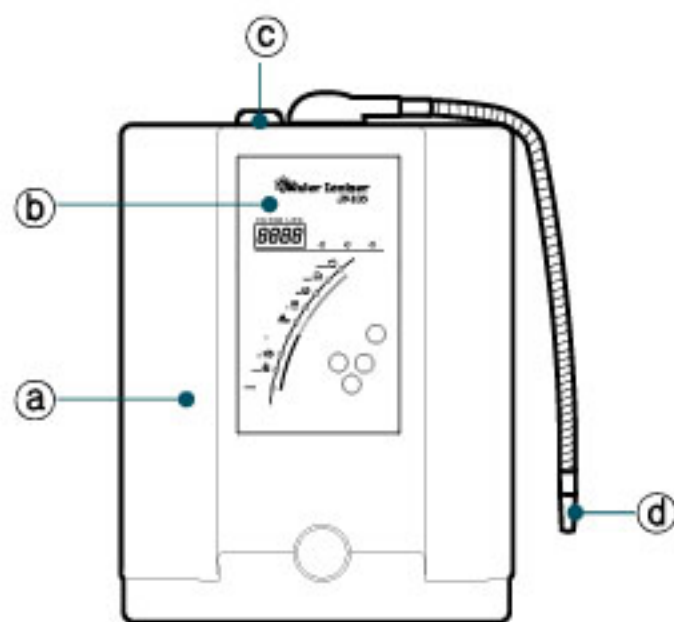
- ◆ Do not wash by pouring the water to the main body. It may cause a short circuit and electric shock.
- ◆ Do not electrolysis the hot water(35℃ or higher) It may cause the deformation by the heat or breakdown.
- ◆ Do not use the water that is inappropriate for drinking and is out of water quality standard. It may be harmful for health and damage the machine.
- ◆ Do not use the bronze container that is vulnerable to acid or aluminum container that is vulnerable to alkaline water. The container may be damaged.



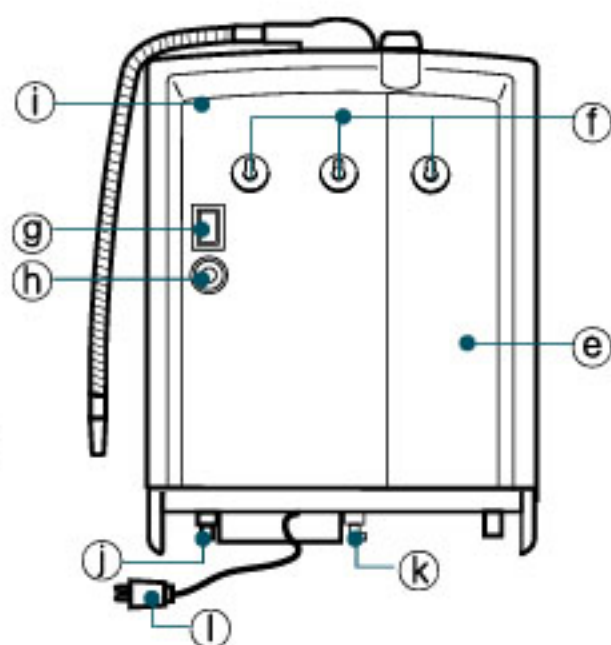
The generated water in the product has to use the water that is appropriate to drink under the acidic water

**SAVE THESE INSTRUCTIONS**

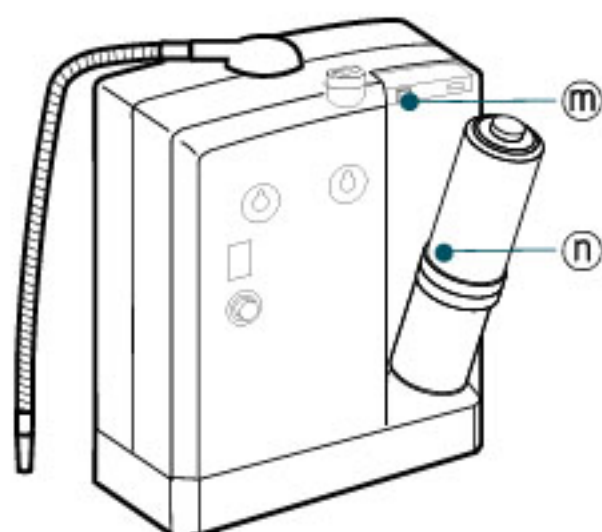
# EXTERNAL FEATURE AND FUNCTION



(FRONT)



(BACK)





## DESCRIPTION OF MAIN BODY

- a Main Body**  
External case embodying the product unit  
And protects the internal components.
- b Controllers-Integrated Pannel**  
Each controller's named integration to control  
unit operation and indicate operation condition.
- c Calcium-Additive Container Cap.**  
solution in alkaline ionized water by  
using a pelletized calcium compound.  
Each load will last approximately 4  
weeks.
- d Flexible stainless steel alkaline water outlet**  
Gently position the retrieval when collecting your water.  
Please disinfect your container with acidic water prior  
to filling up the alkaline ionic water within 2days.
- e Filter Cover**  
Tap water input connection.
- f Holes for wall mounting**  
The machine may be safely mounted onto the wall.  
Please use suitable wall stud or drywall fastener if you  
wish to mount onto the wall.
- g Fuse Holder**  
Preventing damage to machine in case of overloading
- h Main Power Switch**  
The switch is for shutting off the main power supply,  
onto wall-studs.
- i Back-Cover Panel.**
- j Acidic Water Output Port.**  
Output pathway of acid water generated during
- k Tap Water Input Port.**  
Tap water input connection.
- l AC Power Cord.**  
Power connection cord.
- m Reset Button.**  
Whenever a new filter is replaced, please  
reset this button.
- n Filter Cartridge.**

## DESCRIPTION OF CONTROL PANEL

### ① Filter Life LED Indicator

The machine is equipped with a sensor to detect the quality of source water and usage. Digital number jumps accordingly and indicates the filter life usage with number progressing from 0000~9999, when the number reaches 9999, it is time to replace a new filter.

### ② ION LED Indicator

When lighted up, indicates that ionization is in progress.

### ③ Low Pressure Warning LED Indicator

When lighted up, indicates insufficient water pressure for operation. A beep sound is activated.

Do not operate machine in this mode because of overheating potential and a higher than selected pH level.

### ④ Hot Water Warning

When lighted up, it detected hot water passing through the machine.

Switch to cold water immediately. Severe filter and electrodes damage may occur upon exposure to hot water.

### ⑤ Alkaline Water Button

select your choice from level 1 to 4

### ⑥ Water purifying Button

Press this button only if you just want purified water.

### ⑦ Acidic Water Button

Press this button to select acidic water coming out from the flexible stainless steel outlet.

### ⑧ Acidic Water indicator

Shows that function is for water acidic water only.

### ⑨ Water Purifying indicator

Shows that function is for water purifying only.

### ⑩ Water alkaline indicator

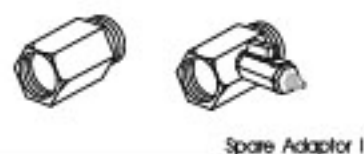
Shows that function is for water alkaline only.

### ⑪ Melody Button

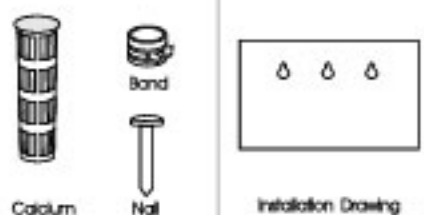
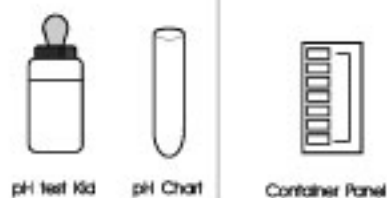
# ACCESSORIES AND INSTALLATION PROCEDURE

Before installation, please check if the following accessories are accompanied. We provide only 1 type of diversion adaptor for each machine. If a customer needs other kind of adaptors, please purchase from your dealer.

## Optional Tap Adaptors



## Accessories



## ⚠ Installation Procedure

Firstly, turn off the tap source water, and then start installing



After ascertaining cold and hot water tap valves, install onto the cold water tap valve.



To prevent any possible water leakage from assemblies, Please wind in with Teflon tape.

After installation, turn on tap water, and check for leakage.

## How to connect a diversion adaptor to each type water tap (faucet).

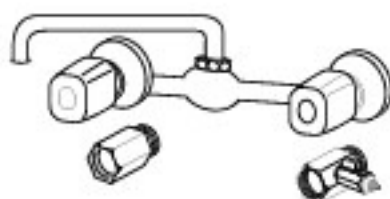
### Water tap having a hydraulic pressure adjustment valve



#### Multifunction diversion adaptor

Open cold-water valve, screw-insert the right size diversion adaptor and connect to the valve.

### Water tap of cold hot water separation type



#### Hole and non-hole nipples

Take away the entire tap body, insert hole and non-hole nipples (hole nipple to cold water pipe), and then connect the tap body to the nipples.

### Water tap of horizontal rotation or single lever type.



#### Tap-attaching adaptor

Nut-fixation type: Insert the adaptors to the end of the tap in equilibrium and then screw the nuts tightly.

Bubble-making ring: Take away a ring from the end of the existing tap and insert bubble-making ring to the end of the adaptor.

### Water tap of one hole-dual water type.



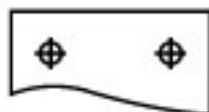
#### Hole and non-hole nipples, Auxiliary Part

Connect  $\phi$  Urethane hose to the sink bottom by using hole and non-hole nipples, take out the other end of the connected hose from the sink bottom, and install the lonizer unit by using auxiliary part (connecting tool).



# INSTALLATION PROCEDURE

## In case of wall-mounting location



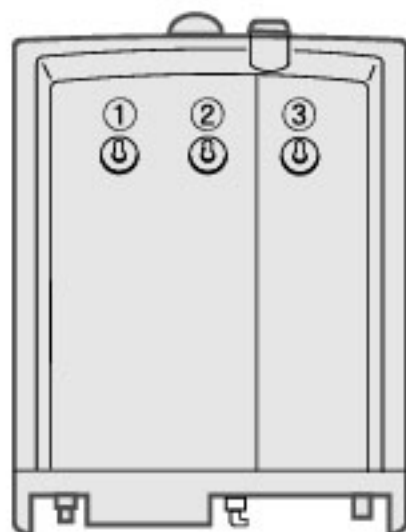
- 1 Vertically attach the provided installation-guide paper on the wall after slightly pasting the guide paper with water.



- 2 Nail down the studs on wall stud position as shown in the guide paper (1 cm length of the studs should be remained).

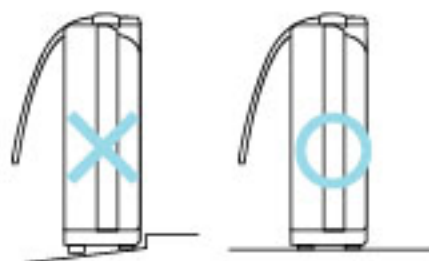


- 3 Mount the ionizer unit on the wall by using the wall-mount holes on the back side of the ionizer unit

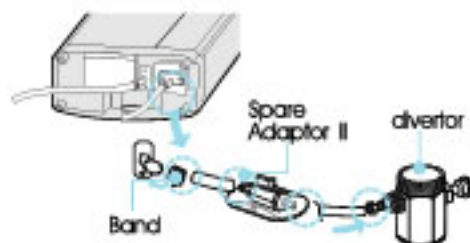


## FOR FREE STANDING POSITION ON KITCHEN TOP

- 1 Please ensure that the machine is properly rested on a flat surface before operation.



- 2 Connect one side of the hose to the tap water input and the other side diverter and then firmly fasten each end of the hose with fitting bands/rings.

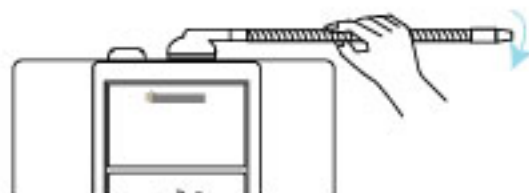


Connect another hose to the Acidic water outlet port for the discharge of acidic water to the sink or collect them in a container/pail for external use.

Please take note that it is not recommended to have a too long acidic hose outlet. When it is too long, it might be bent or twisted. When this happens, acidic water might flow back into the alkaline water outlet and this will affect the taste of the alkaline water.

## OPERATING PROCEDURE

Insert the flexible stainless steel nozzle to the cap on top of the machine. Slowly and carefully, rotate it into the right direction and tighten it.



Switch on the main power switch behind the machine.



Turn on water supply into the machine and check whether there is any leakage from the tap water input port.

Premium DX is equipped with patented self-cleaning mechanism. Machine cleans by itself. Can start collecting alkaline ionic water immediately.

Insert the Power cord to the nearest wall power socket.

Choose the desired water pH and press the button accordingly.



Please check the power supply before you attempt to plug the unit in.

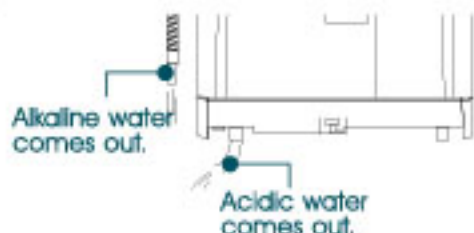
We recommend you to start from the lowest level and increase gradually according to your desire and health condition.

## HOW TO GENERATE ALKALINE IONIC WATER

1 Allow water to flow into the machine.  
Press the selected Alkaline Water Button.



2 Select your desired pH strength from level



3 Please take note that if you select your pH level at 1 initially and when you operate your machine subsequently, it will always be at level 1 as previously selected unless otherwise altered by you. Do not adjust the pH selection level when it is on cleaning mode.

4 The estimated pH for each level varies according to source water condition and water inflow  
Obtainable pH value can vary according to source water quality and water inflow pressure.

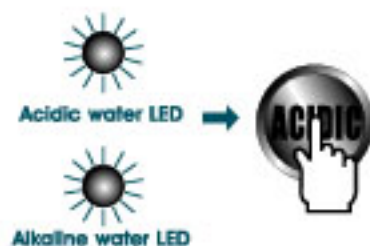
■ Level 4	Alkaline strength pH:	> 10.0 approx
■ Level 3		10.0 approx
■ Level 2		9.5 approx
■ Level 1		9.0 approx

## HOW TO GENERATE ACIDIC IONIC WATER

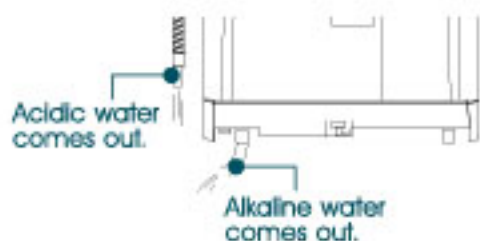
The function of acidic water is for external usage and also for auto-cleaning of electrolysis cell. Acidic water can be used for beauty and antiseptic purposes.

The machine is equipped with auto-cleaning but if your usage is high, we suggest that you do a manual cleaning once every 2 to 3 days besides the auto-cleaning initiated by the machine itself.

1 Allow water to flow into the machine and press the Acidic water button.



2 Select your desired pH strength from level 1 to 4.



## ■ How to stop unit's operation

- 1 Turn off the diverter lever.
- 2 Then the unit will cease operation immediately. Subsequently, Filter Life Indicator and pH level LED will be 'on' and soon all function indicators will be 'off' in case of no reoperation.

## HOW TO GENERATE FILTERED WATER ONLY

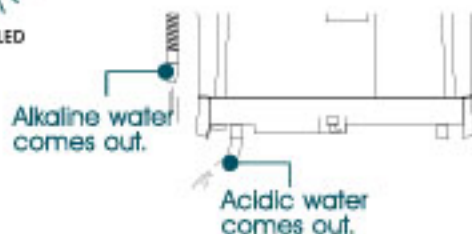
- 1 Allow water to flow into the machine and press the Filtered Water Button.
- 3 Please take note that the water flowing out from both outlets are only purified water.



- 2 Press Filtered Water Button for purified water only.



Water LED



- 4 The pH strength for purified water is about pH 7 or more depending on source water condition.

## ■ HOW TO STOP OPERATION

- 1 Turn off water supply.
- 2 The machine will buzz "Pphhiik" and the machine will stop its operation automatically. The Filter Life Indicator and pH level LEDs remain lighted.

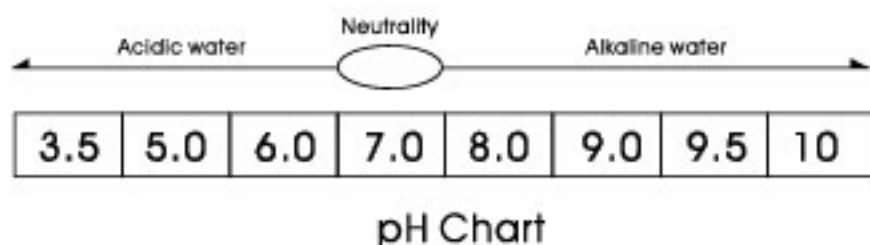


# MEASURING OF pH VALUE

## ■ The recommended pH range for normal drinking should be pH 9.0 to 10.

The pH value can be slightly different each time you test the water as it varies according to the water source condition and also the water pressure input into the machine.

When you test your pH value for each level, please discard the first part of the water so that your test can be more accurate.



## TESTING OF pH VALUE

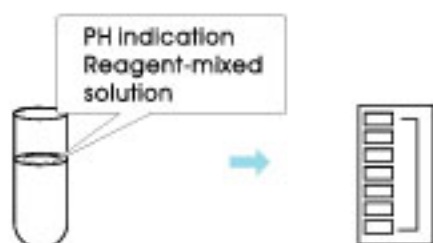
1 Fill up 2/3 of each test tube with tap water, alkaline water and acidic water.



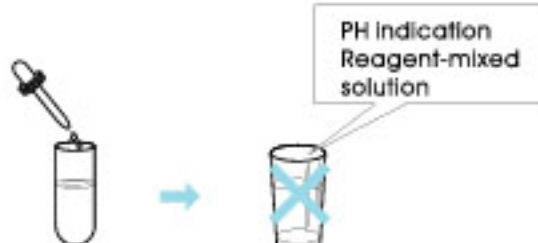
2 Drop 2 to 3 drops of the testing solution into each tube and shake it well.



3 Compare the color to the color chart provided.



4 Do not drink the water that has been tested with the testing solution.

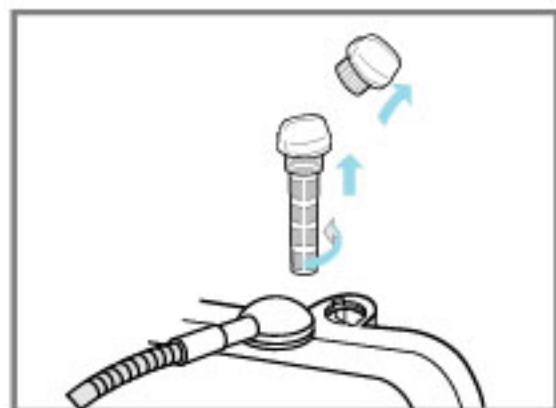


**Keep the pH indication reagent in a dark and cool place.**

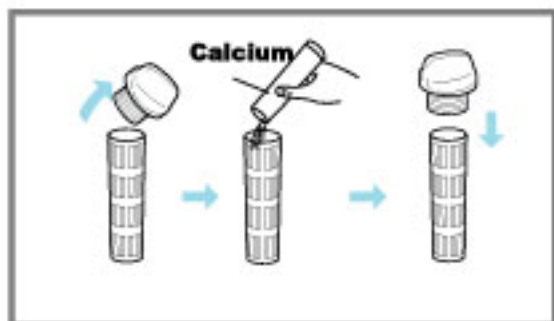
# ADDITIONAL CALCIUM SUPPLEMENT

Adding minerals to the water using this method will make stronger ionized water. Each machine has a receptacle within the top of the machine for adding additional calcium if desired. Utilizing this feature will allow a small amount of calcium to be dissolved along with the purified water as it flows out of the filter. The calcium converts to ionized calcium once it passes through the electrolysis chamber. Ionized calcium is easily absorbed into the body. The need for this feature will vary according to individual physiology and /or native calcium content in the source water. Any water soluble mineral can be used.

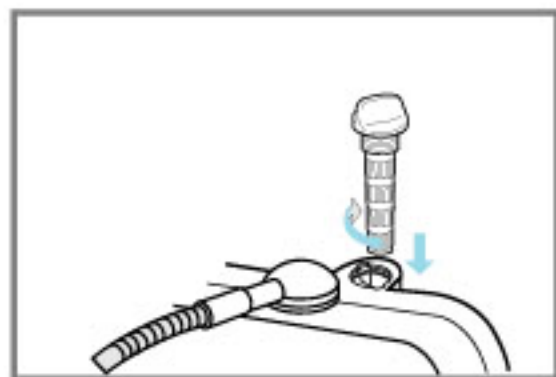
## HOW TO INSERT CALCIUM INTO THE RECEPTACLE



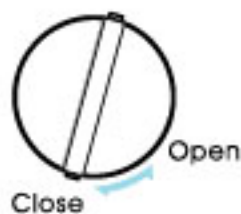
- 1 Turn off the water supply.
- 2 Gently twist counter-clockwise the cap on top of the machine and remove.
- 3 Separate the cap from the calcium vial.



- 4 Replace a new calcium vial and insert it into the receptacle and tighten with the cap clockwise.
- 5 Each calcium vial last about 4 weeks for normal usage.



- 6 Please discard any unused calcium when you replace the new vial.



**Container Cap**

# REPLACEMENT OF NEW FILTER

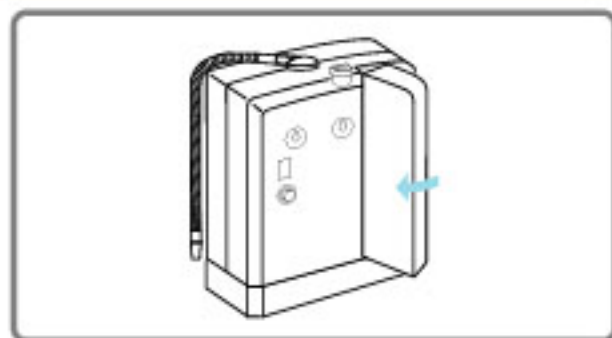
Our machine is equipped with a built-in digital function which automatically informs the user when the filter life ends. When the filter life LED Indicator reaches "9999" the light flickers and indicates that it is time for you to replace a new filter.



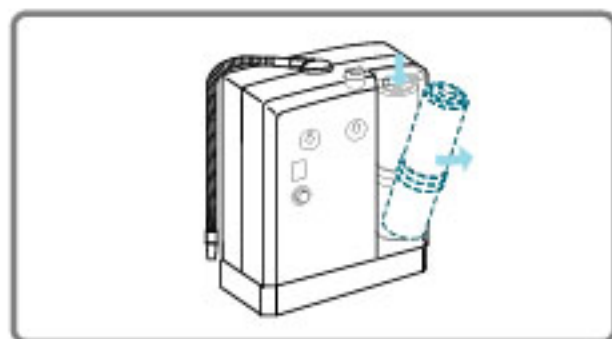
**Under the following circumstances, your filter might need to be replaced even though it does not reach "9999"**

- Poor flow of alkaline water from the flexible hose due to filter blockage caused by badly polluted source water.
- Bad taste of alkaline water due to badly polluted source water.
- When machine is not in use for more than one month.

## HOW TO REPLACE NEW FILTER



- 1 Turn off water supply.  
Push right-middle point of filter cover and pull the filter cover.



- 2 Gently open filter access door and lift off from the main housing.



- 3 Depress top of filter and pull towards opening.

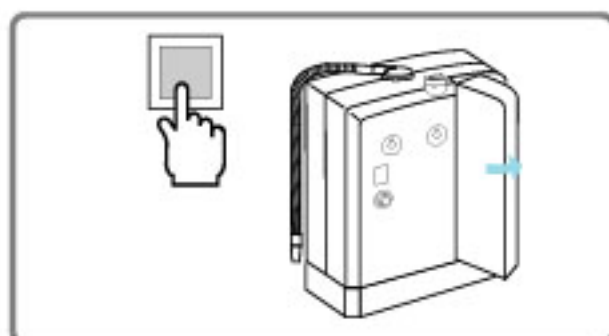
4 Remove protective foil from base of new filter and return to machine by depressing into the opening at the base of the filter compartment.

※Do not discard white filter cup that filter is seated in.

5 When the new filter is fitted, please allow water to run through for about 2 to 3 minutes with power supply off. You might observe an outflow of dark-colored water initially and when the water is clear, you can start to operate your machine.

6 Check for any water leakage from the filter compartment.

7 Turn on the power supply and push the RESET BUTTON to let the filter life LED indicator returns to "0000".



## ABNORMAL LED INDICATOR

When tap water input into the machine is weak, the Low Pressure LED indicator will flicker even though the water sensor is working. Try to increase the water pressure to avoid this condition.

- Appropriate hydraulic (inflow) pressure : 0.7 kg/cm to 5 kg/cm.  
Appropriate water inflow rate : 2.5 to 3.0 litres/min.

TYPE: JP-105

FILTER LIFE



ION

LOW  
PRESSURE

HOT WATER  
WARNING



## ALKALINE IONIC WATER

### 1. Moderate pH level for drinking alkaline (AKW) and acidic water (ACW).

		Alkaline ionized water(AKW)	Acidic ionized water(ACW)
Beginner's drinking	Child	Level 1	Level 1
	Adult	1	1
	Patient	1	1
	Dosage	2~3cups/day	The hotter water, the better effect
Customary drinking	Child	level 1~2	Level 2
	Adult	2~3	2~3
	Patient	2~4	3~4
	Dosage	Patient: 300cc~5000cc/day	The hotter, the better effect

※0.5~1.5 gallons per day, spread throughout the day.

#### Health improvement reaction (Temporary negative symptom on healing process)

Alkaline ionic water has the ability to scavenge free radicals and remove acidic waste matters out of our body system. As a result, it may cause some temporary sensitive reactions. As you go through the detoxification process, you might encounter frequent urination and bowel movements and perspiration etc. We recommend that you continue drinking the alkaline ionic water throughout the cleansing process for full recovery.

#### ■ Skin Eruption

For users who have allergic problems, liver problems and excessive medicine dosages, they may encounter skin eruption occasionally during the first 3 months of drinking alkaline ionic water. This is due to blockage of capillary vessels. Continue to drink alkaline ionic water and you will be able to see improvement.

#### ■ Diarrhea

For users who have weak stomach, serious constipation and decayed excreta caused by abnormal fermentation in bowels, they might encounter diarrhea for about 3 to 7 days. In a week's time, they will experience better bowel movements. So, continue drinking alkaline ionic water to correct the problems.

## 2 Utilization of various kinds of water from the ionizer unit.

Generated water	pH value	Usage
Strong alkali water (Strong AKW)	10.0	For cooking preparation. Good for extorting a bitter taste of vegetables. Shorten cooking time. Use for washing vegetables and for boiling foods, and the color of vegetables and foods get more lucid and clearer.
Alkali water(AKW), Drinkable	9.5	Optimal for making barley tea and oolong tea. Can make tea softer and the time it takes conventional water to make tea
	9.0	To cook rice. To make teas.
	8.0	Suitable for a beginner to AKW.
Purified water	7.0	For taking medications.
Acid water(ACW)	6.0 5.0	For skin care. After face washing, bathing and shaving.
Strong acid water (Strong ACW)	3.0	For cleaning of electrolytic cell..

1~2 cups of AKW on empty stomach every morning and 1~2 cups before daily bedtime will bring great efficacy.

Drink 2~4 cups of pH 8.0~9.0 AKW everyday and increase the drinking quantity with higher pH strength as your body gets assimilated with it.

## Particular usage of alkaline ionized water (AKW)

### For cooking rice

Soak rice in AKW for 30~60 minutes before cooking rice and then cook rice. It results in glutinous and tasty cooked rice, which can be kept fresh for a substantially longer time.

### For liver, pork, raw meat and crisp vegetables

Cooking these after being soaked in AKW for 20~30 minutes will increase crispness of vegetables and will make the meat softer and tastier.

### For coffee and black tea

Eliminate bitter taste of coffee and the astringent taste of black tea and create a natural taste and good flavour of coffee and tea.

### For washing vegetables and fruits

Vegetables and fruits washed/rinsed with AKW maintain their freshness much longer and can be kept longer.

### Excessive liquor drinking and hangover

Taking 1~2 cups of AKW on an empty stomach in the morning or before bedtime, is good for hangover (a morning headache).  
<pH level 2 is recommended>

### Alcoholic drink and cocktail

AKW creates a very mild and soft taste of alcoholic drink. Making ice cocktail with AKW creates a good taste / flavor.

### For various cooking

If bamboo sprout, tree sprout, taro and brown seaweed etc are cooked with AKW, then their acid or pungent taste is removed and their innate taste is revived. If used for cooking fish it eliminates the fishy smell and instead enhances the fish taste.

### Animal distemper

AKW helps with puppy's infectious disease (pyrexia), to get rid of its parasites, to make its fur beautiful and to promote its growth. Especially AKW can increase hen's egg-laying rate, retards its sebaceous (fat) constitution and improve chicken's meat quality.

## Particular usage of acidic ionized water (ACW)

### Teeth-brushing, respiratory disease, toothache and gingivitis

Brush your teeth with ACW or gargle with ACW for a serious cough or sore throat. Massage gums with ACW for gingivitis (it removes halitosis)

### Skin Burn and stopping bleeding (homoeostasis)

ACW brings good healing results by steeping in or putting a wet compress on the hurt (wound) part with ACW, as ACW is excellent material for homoeostasis, disinfection and recovery (healing) power.

### Athlete's foot and haemorrhoids

Dip athlete's foot-affected part in approx 30°C ACW approx 20 minutes / day.  
An attack of haemorrhoids is relating direct to patient's diet. Haemorrhoids patients are recommended to improve their physical constitution by continuously drinking AAW, and to wash and put a hot-wet compress on the affected part with ACW 2–3 times / day.

### Sterilization effect: Tableware, chopping board and dish towel etc.

Dipping in strong ACW for 20~30 minutes brings good sterilization effect and hygiene.

### Flower arrangement

Apply diluted ACW to a cutting cross section of flower stem after diluting ACW with water at the rate of 2 (ACW): 1 (water), and the flower will last its freshness much longer.

### Bathing, face-washing and hair washing (Shampooing)

ACW is good for skin care and acts as an astringent. Use ACW for bathing to keep your body skin healthier. ACW helps prevent freckles and acnes etc (our skin is of weak acidity).

Use ACW water as a rinse after hair washing with soap, and you will have glossy hair because ACW neutralizes alkalinity of soap.  
Use ACW after shaving, as a substitution for skin lotion because ACW has the effect of astringent and disinfectant



# CAUTION ON USE & SAFEKEEPING OF THE UNIT

## CAUTIONS

- Do not drink the following generated water:



Water containing a reagent used for pH value test.



Water being generated from the unit that has been kept without use for a long time period (drink a generated water after water inflow in and outflow through the unit for 3–5 minutes).

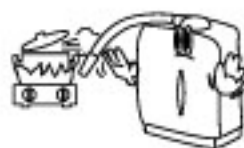
## ! CAUTION ON UNIT INSTALLATION (Do not install the unit in the following places)



Do not install in the place where water-freezing is possible



Do not use hot water or inappropriate water for drink.



Do not place the unit near fire or flame.



Do not put any heavy thing on the top of the unit.  
Do not install in an unstable place.



Keep the unit out of the direct ray of the sun.



Do not remodel the unit at your option.

- Do not drop or jostle the machine
- Please do not install near flammable material, chemicals, or near natural gas connections. .

■ Method of use: normal temperature ■ Temperature: 0–30°C ■ Humidity: 60–70% down ward

# UNIT EXAMINATION & EMERGENCY TREATMENT

Abnormal condition	Cause	Treatment
Main power lamp does not come on.	A power plug is not properly put in a socket.	Put a plug in a socket exactly.
	The fuse is blown. The fuse is not inserted properly.	Replace the fuse ( 2 A fuse against 220V).
Ionization lamp does not come on even after turning the tap on.	Abnormality of PCB.	Immediately unplug out of a socket and then bring the unit to a selling agent for A/S.
On pH test with a reagent, acidic water color gets yellow, but alkaline water color indicates pH neutrality.	Alkalinity is in inverse proportion to acidity. Therefore, showing an acidic reaction means that inversely alkaline water is generated from the unit, No alkalinity color appearance results from a chemical reaction that carbonic acid in water evaporates some test reagent elements.	Test pH value with Level 4 water (strong alkaline water)
Power supply is suddenly cut off during operating the unit.	Too much salt in the water which causes overheating. TDS is much generated from subterranean water due to long time operation at high pH level.	It is not a mechanism. It is a mechanism to protect the unit from possible excessive electric current. The unit will automatically operate after some time interval.
Low output of ionized water from the unit	Filter is clogged. Filter clogging may be caused by sudden inflow of seriously polluted source water.	Filter replacement is needed.
	Low inflow pressure.	Take a hose away from the divert adaptor connected to the water tap and make a divert adaptor hole larger.
	The used hose is bent.	Straighten the bent hose.
	Water flow has been choked off by minerals deposits on electrodes.	Return unit to selling agent for cleaning.

Abnormal condition	Cause	Treatment
	Filter life (longevity) is over. Filter life can be extremely shortened in case the unit is exposed to bad quality water.	Filter replacement is needed
Strange smell from output water	Due to sudden change of source water quality and too much Cl contained in the source water in summer season. Infinitesimal Cl may remain in output water as electrolyzed ion water has a strong activity (but such a tiny Cl content falls within a water quality standards) and this Cl may cause a strange smell.	Select pH level 1~2-lower pH strength. If still serious, filter replacement is needed.
	Sulfur is common in well water	This may require a KDF prefilter
Milk-white materials precipitate on the bottom of a ionized water receptacle (alkaline and acidic water)	It is extracted $\text{CaCO}_3$ after Co in water is bonded with Ca in case much $\text{CO}_3$ exists in water.	It is totally harmless to our body. It gives a merely discomfort feeling to an user due to it's appearance, but please feel easy. In this instance, select pH level 1~2-lower pH strength
At first no smell, but smell from the output water in about 1 hour after collecting ionized water.	The water-keeping bottle or receptacle is foul. Contamination is added into the bottle when collecting output water from the unit. Filter is seriously polluted.	Check cleanliness of the water-keeping bottle considering ionized water's molecule cluster size is much smaller. If so serious, then replace a filter and select pH level 1~2 - lower pH strength
Water leakage from a filter room	Abnormality with a filter packing. A filter is not fitted firmly at the base.	Take filter out, check the filter room and finally fit filter firmly thereto.
No output flow of generated water from the acidic output port.	Check whether the output hose is bent	Increase the quantity of source water inflow. Straighten the bent hose.

# PRODUCT SPECIFICATIONS JP-105

<b>Product Manufacture Permission Number</b>		No.610 by The Ministry of Health & Welfare
<b>Feature</b>		<b>Ionic Water Processor</b>
<b>Model</b>		<b>JP-105</b>
<b>Input Voltage</b>		<b>AC 240V 50Hz</b>
<b>Input Electricity (Power Consumption)</b>		<b>0.5A (110W)</b>
<b>Weight</b>		<b>Approx 4.5 Kg</b>
<b>Overall Dimension</b>		<b>265 X 160 X 327mm</b>
<b>Applicable Water Inflow Pressure</b>		<b>0.7 ~ 5 Kgf/cm<sup>2</sup></b>
<b>Applicable Water Temperature</b>		<b>5 ~ 30°C</b>
<b>Unit Operation Type</b>		<b>One Touch - Automatic ionization Start</b>
<b>Unit Operation Means</b>		<b>Tap-water-open and-close</b>
<b>Electrolysis Device</b>	<b>Electrolysis Method</b>	<b>Continuous electrolysis</b>
	<b>Electrolysis Strength</b>	<b>1-2-3-4 level</b>
	<b>Ionized Water Output Rate</b>	<b>Max 3 Liters / minute (alkaline+acidic water)</b>
	<b>Cleaning Device</b>	<b>Patented self cleaning Mech</b>
	<b>Electrode Materials</b>	<b>Platinum and Titanium</b>
<b>Water-purifying Device</b>	<b>Filter Replacement</b>	<b>Easy replaceable cartridge (Platinum coating 0.53micron each)</b>
	<b>Filter Life (Duration)</b>	<b>Activated Carbon filter: Approx 5 ~ 6 months basis 20 Liters / day. Hollow Membrane filter: Approx 9 ~ 10 months basis 20 Liters / day.</b>
	<b>Filter Life Indicator</b>	<b>FND number indication</b>
	<b>Filter Composition</b>	<b>Silver-impregnated activated Carbon and bio-ceramic stone, coral calcium + space fibre ultra fine (optional)</b>
<b>Water-purifying Device</b>		<b>Temperature Sensor / Auto Shutoff</b>
<b>Water Supply</b>		<b>Direct connection to a tap</b>